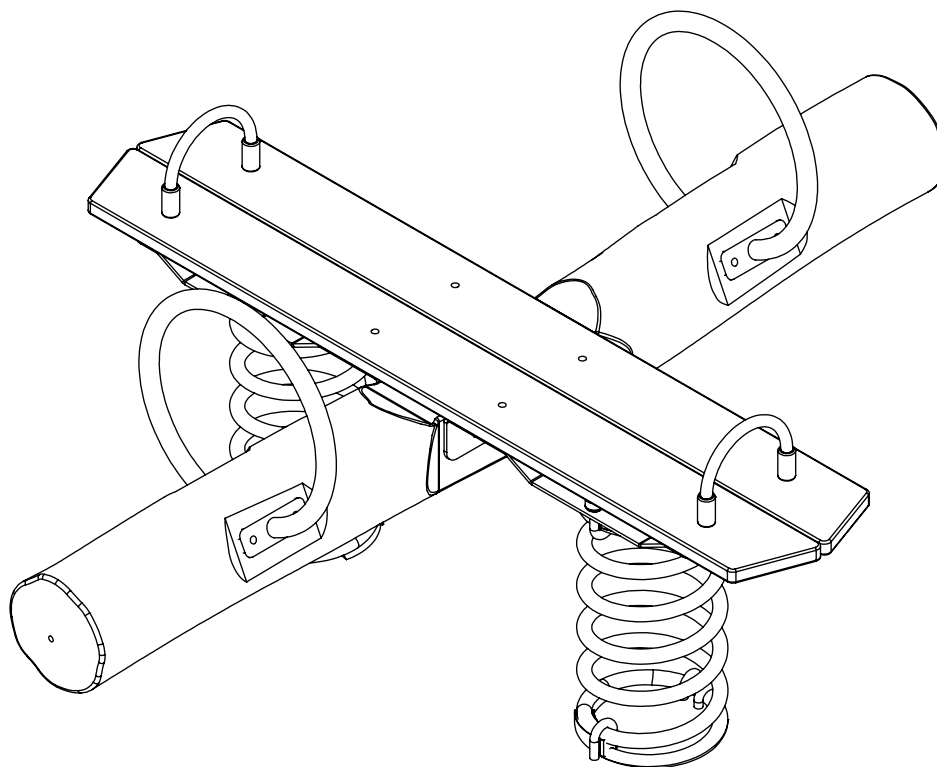
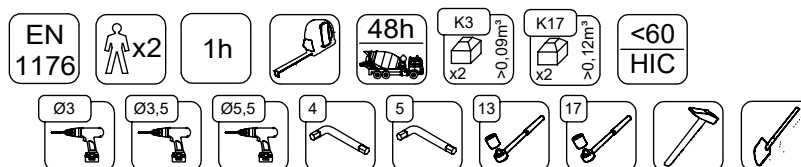


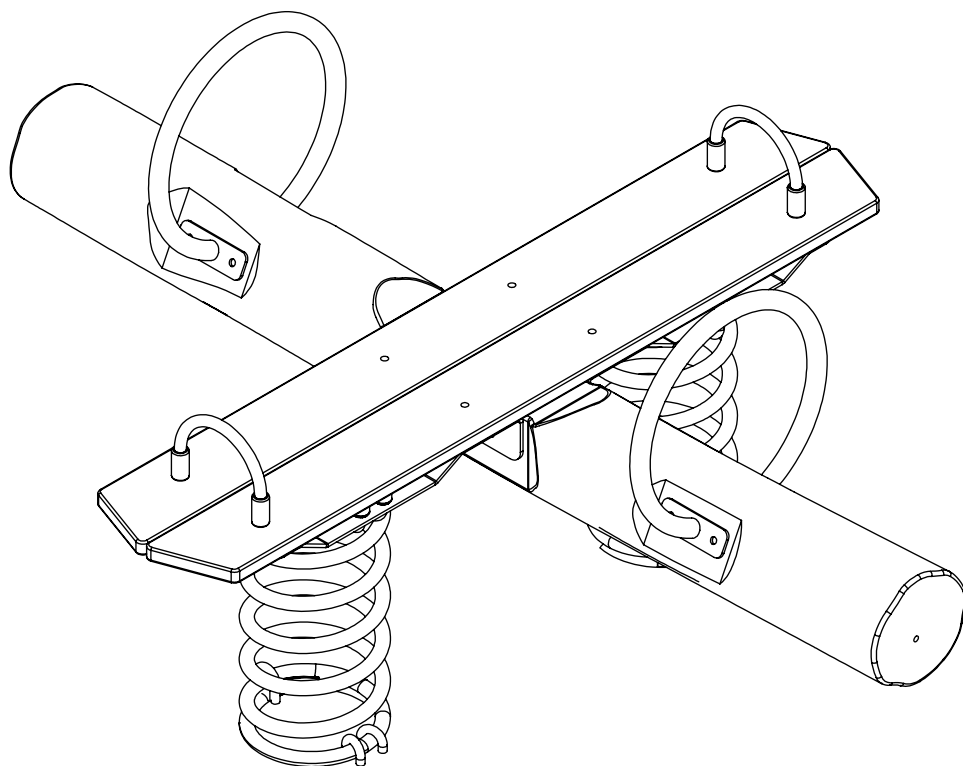
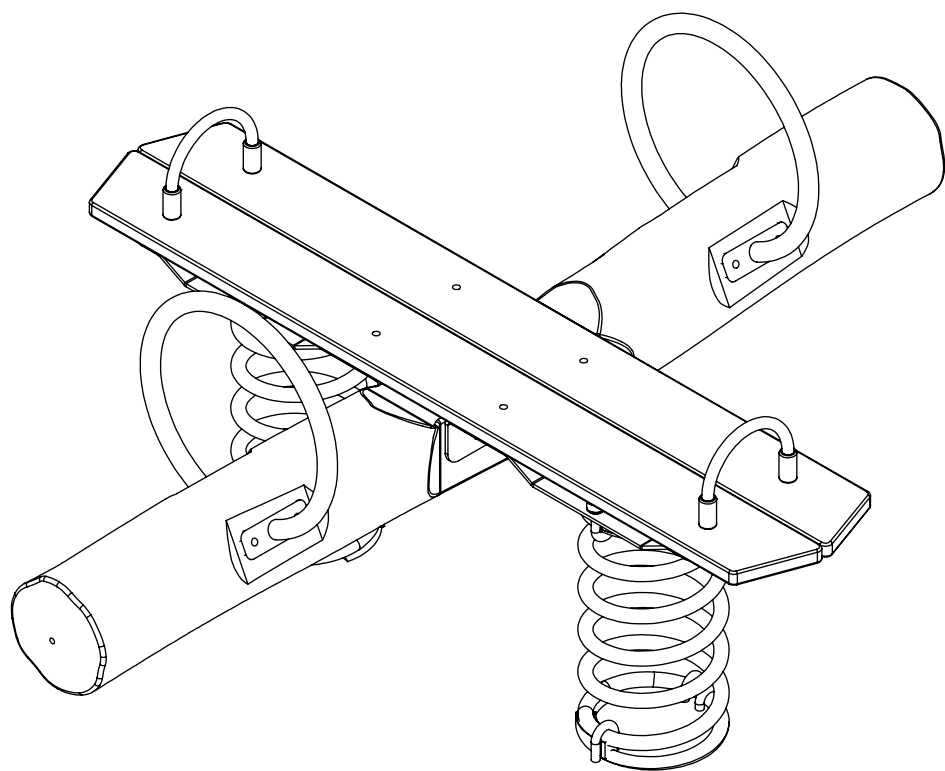
RB1364



v010
04.04.2022
D. P.
[cm]

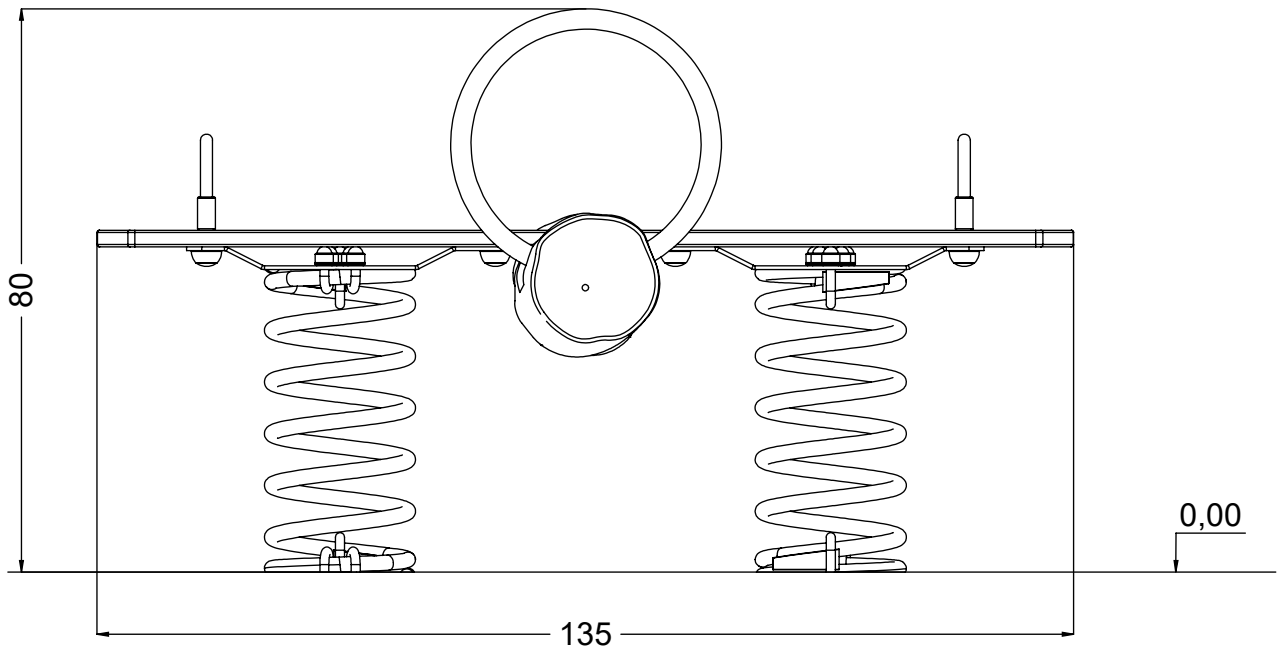
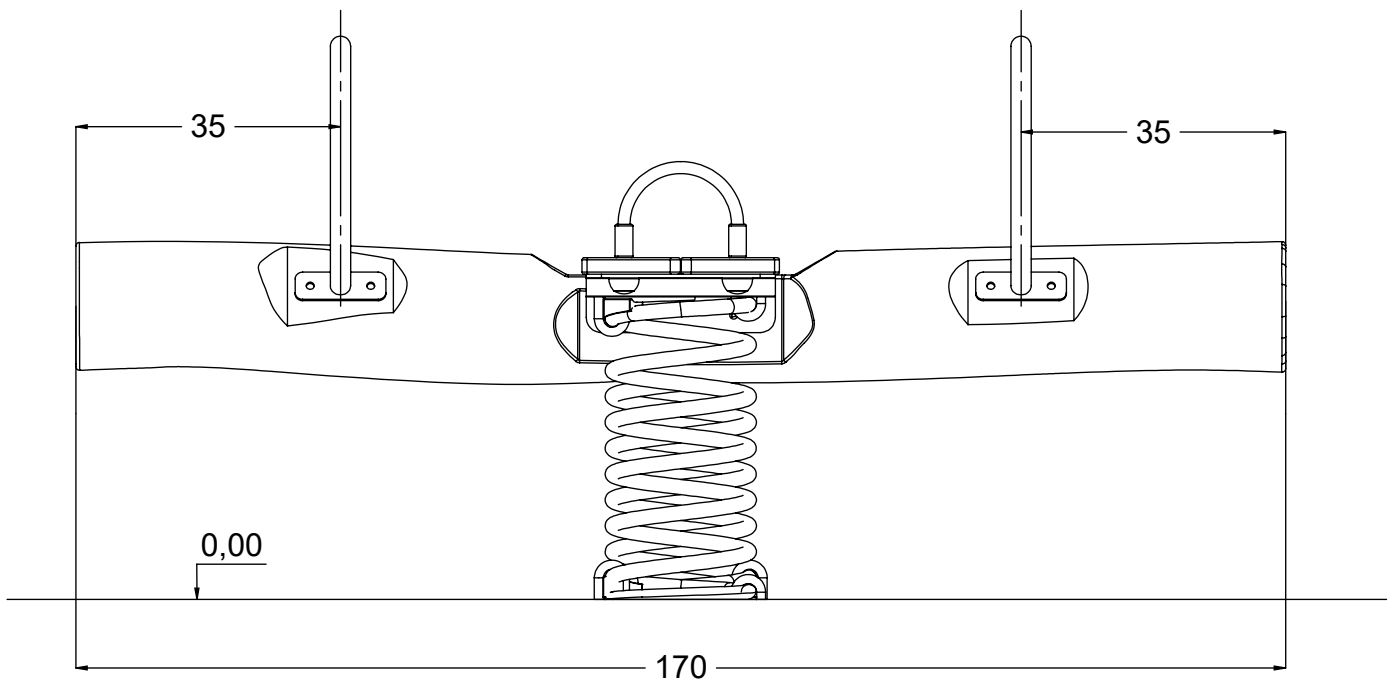


vinci
play



[cm]

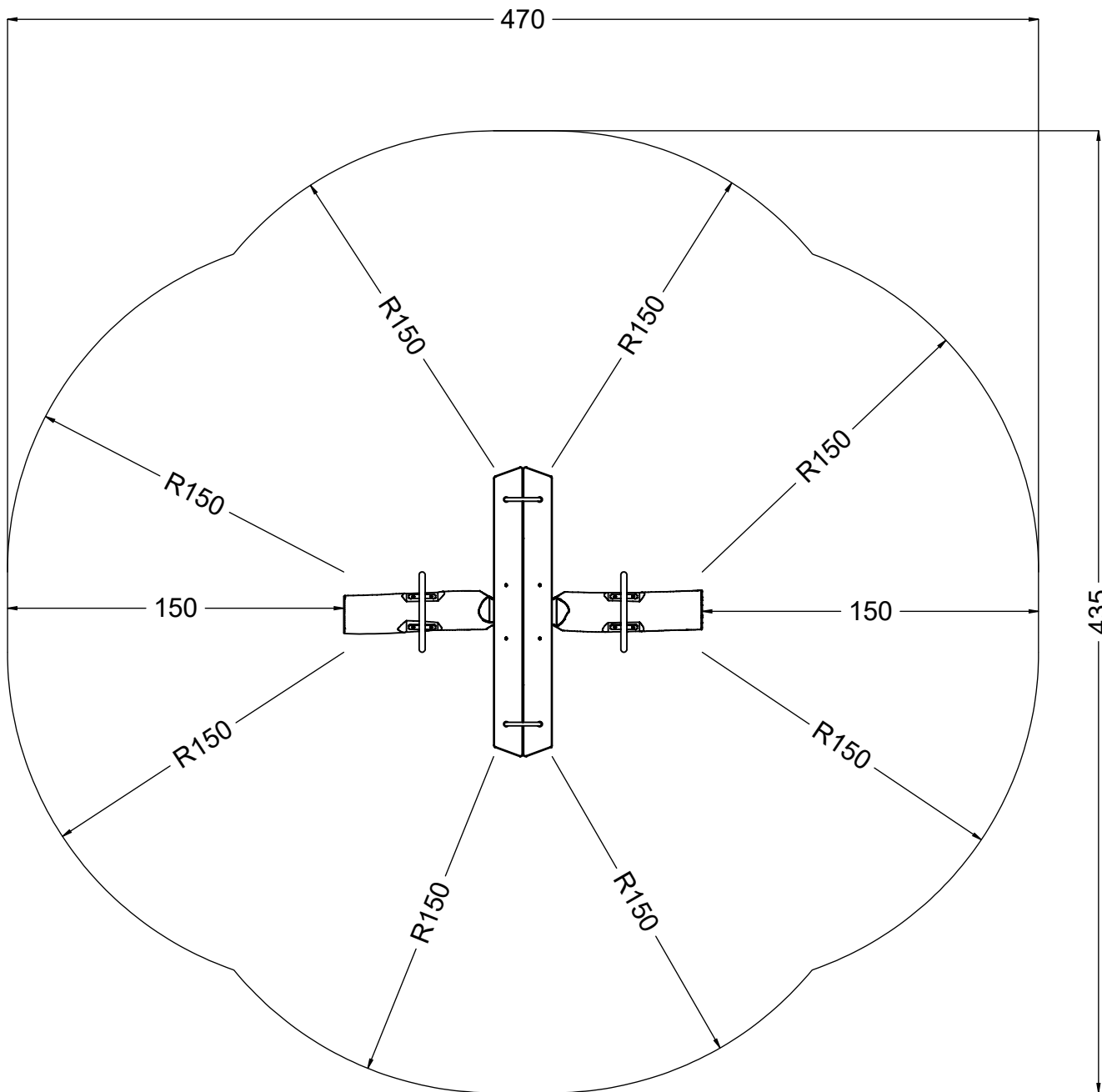
vinci
play



[cm]



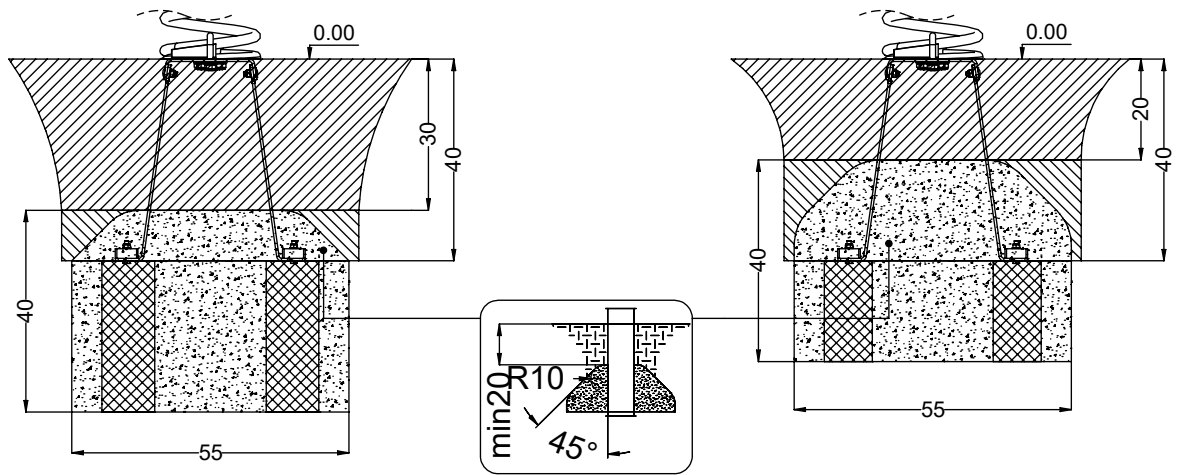
vinci
play






[cm]

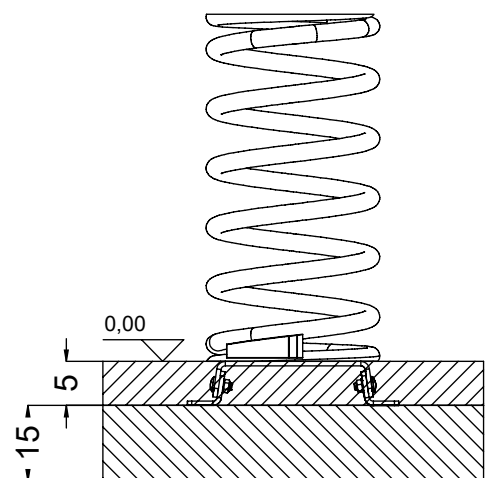
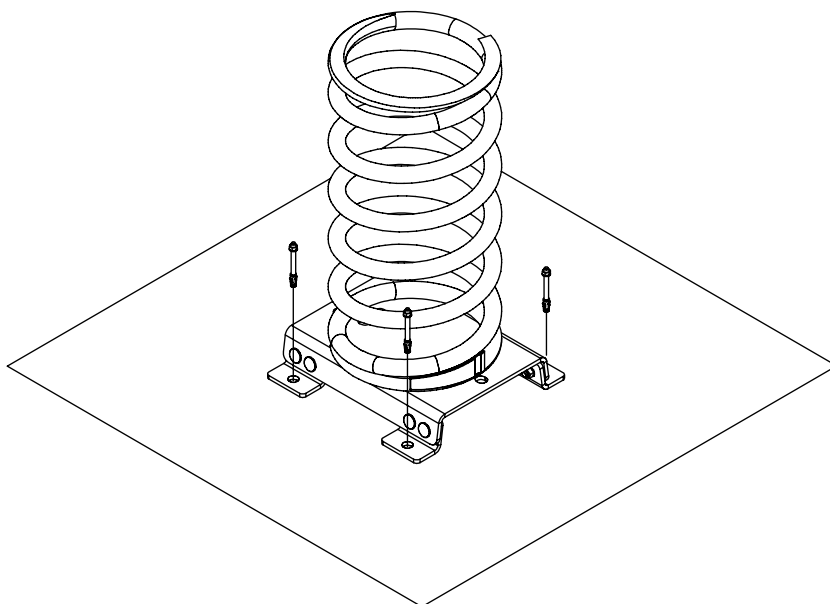
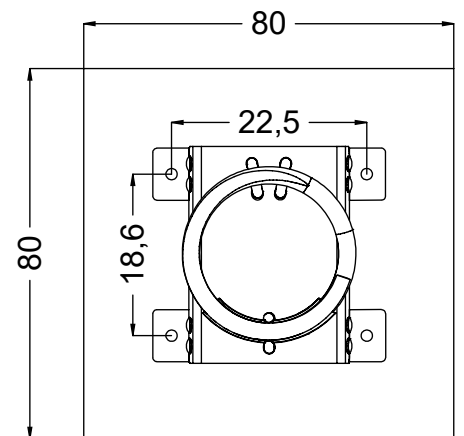
vinci
play

K17



K3

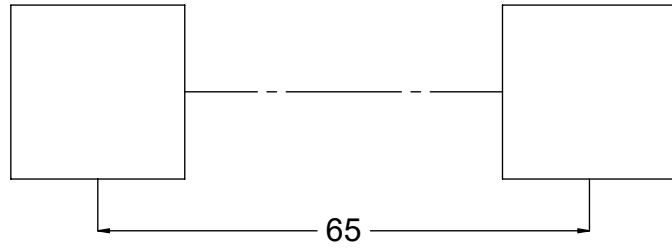
	K3
M10x120 x4	
NOT INCLUDED	



[cm]

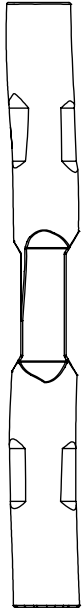
 x2	1h			K17 x2 >0.12m ²	48h 	K3 x2 >0.09m ²
--	----	---	---	----------------------------------	--	---------------------------------

vinci
play



x2
 1h

 48h
 K21 x2 >0.06m³



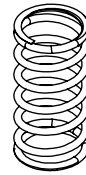
127439
x1



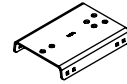
128217
x2



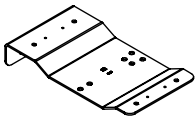
122105
x2



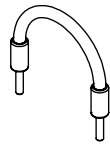
996171
x2



B239
x2



b2-4
x2



125133
x2

K17

B238
x8

K17

061192
x4

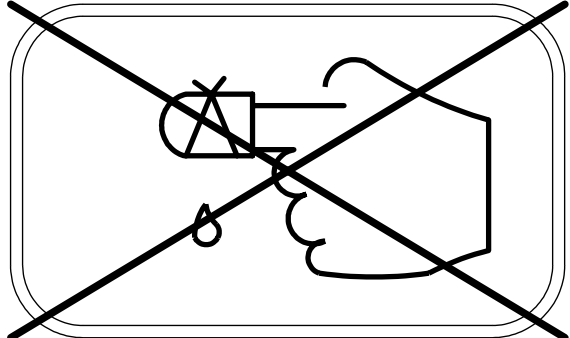
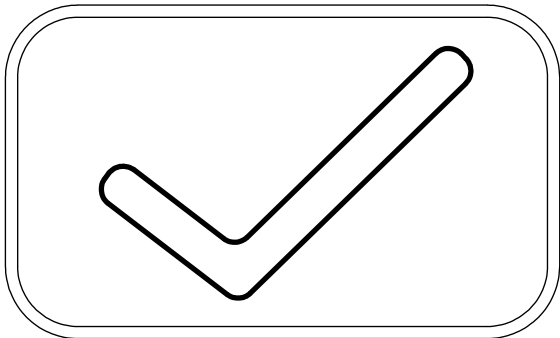
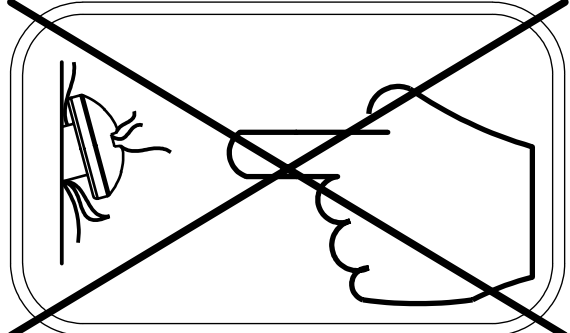
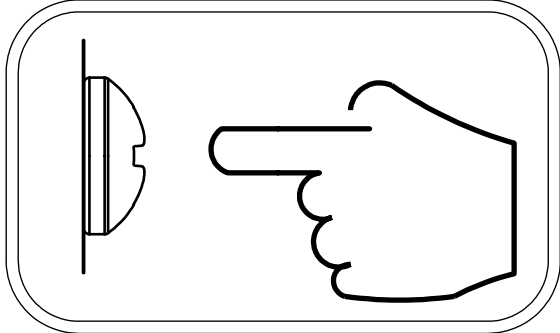
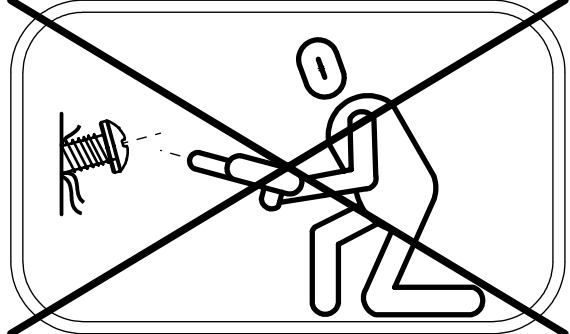
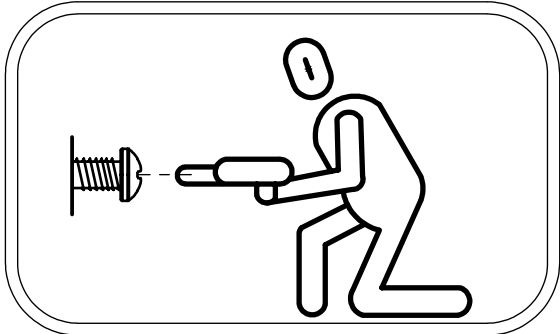
K3

B237-1
x8

2x	SP3 (K17)
2x	SP2
2x	SP1
2x	SP36
1x	12e077
1x	12e078
8x	8x50sxi
8x	5x25sxp
1x	V001

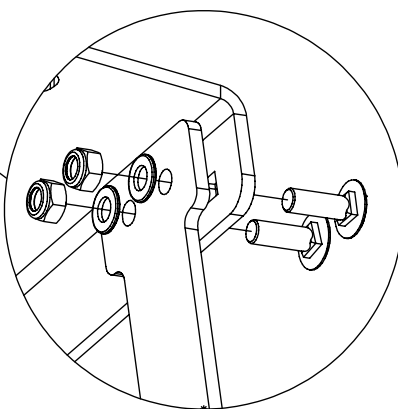
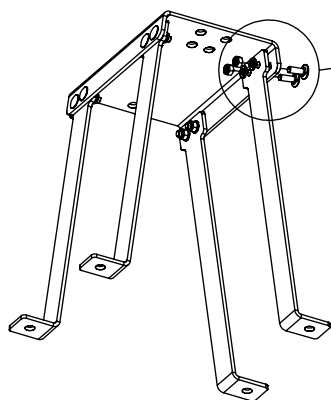
[cm]

vinci
play

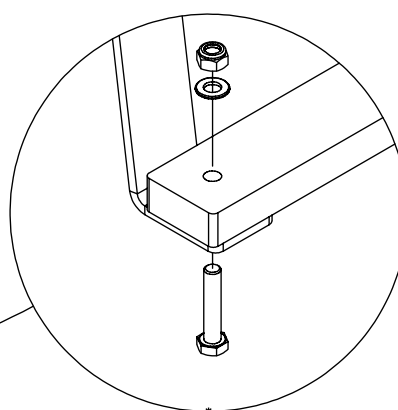
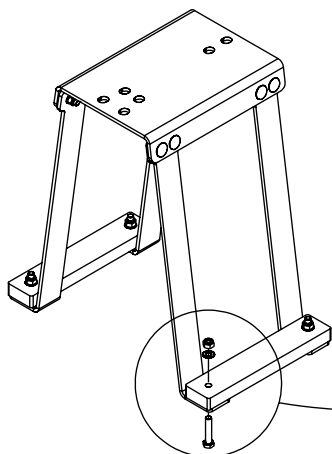


K17

2x



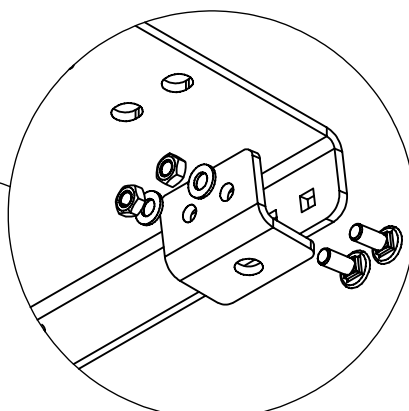
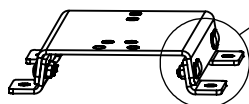
SP1 x1



SP3 x1

K3

2x



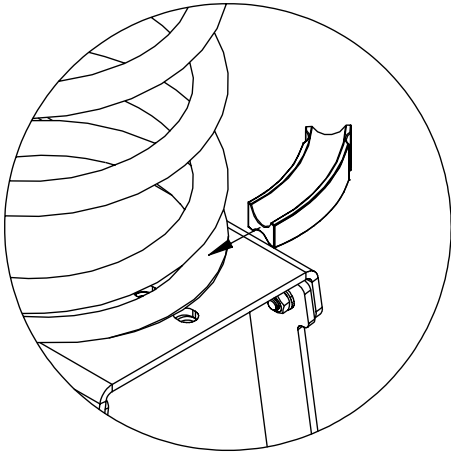
SP1 x1

[cm]

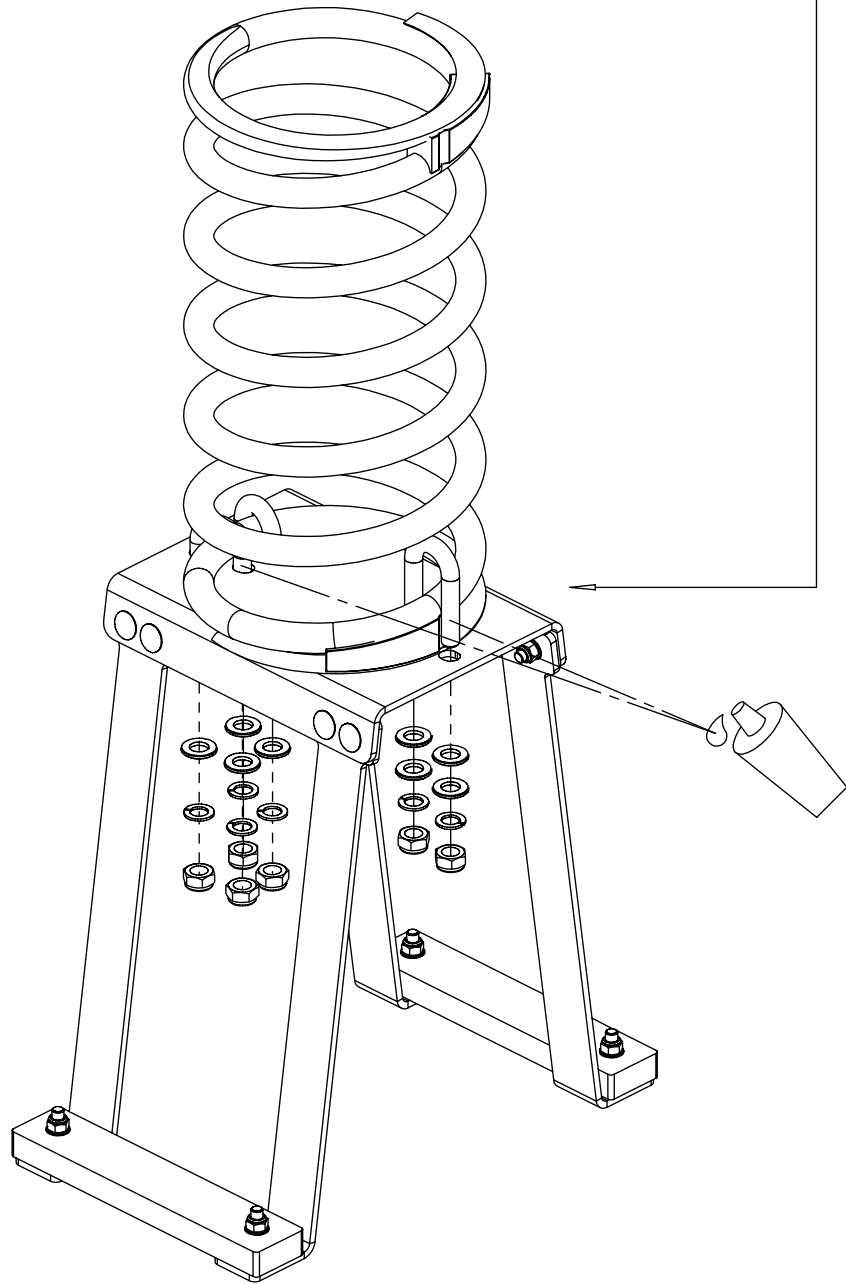
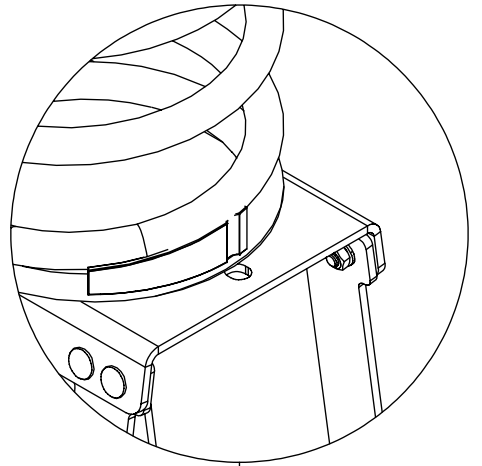


vinci
play

2x



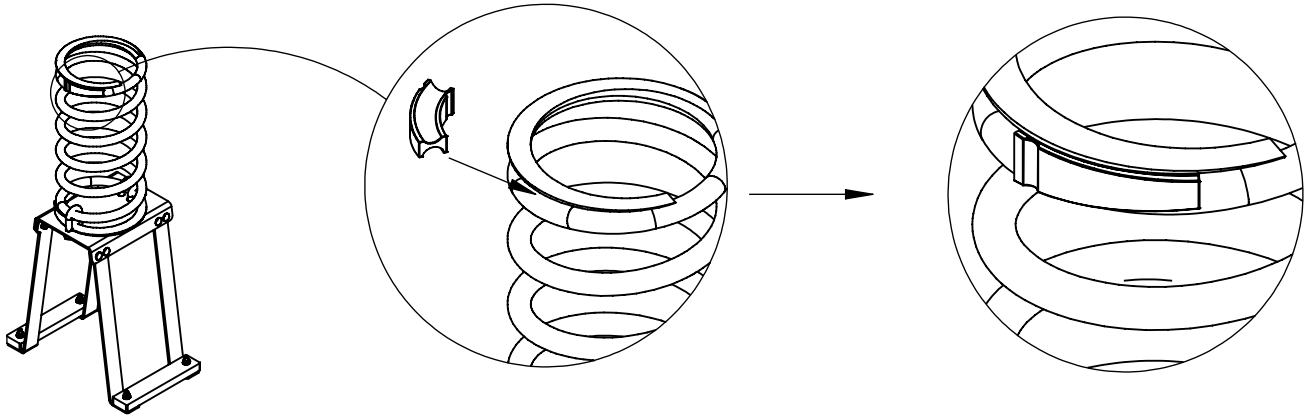
SP2 x1



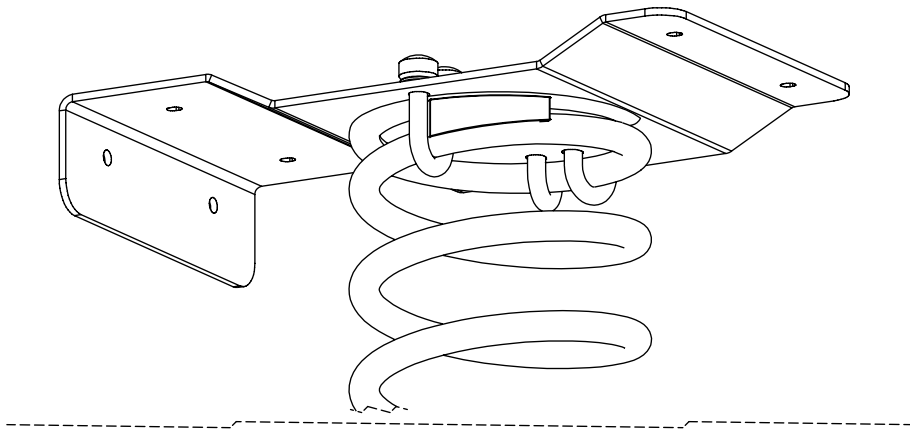
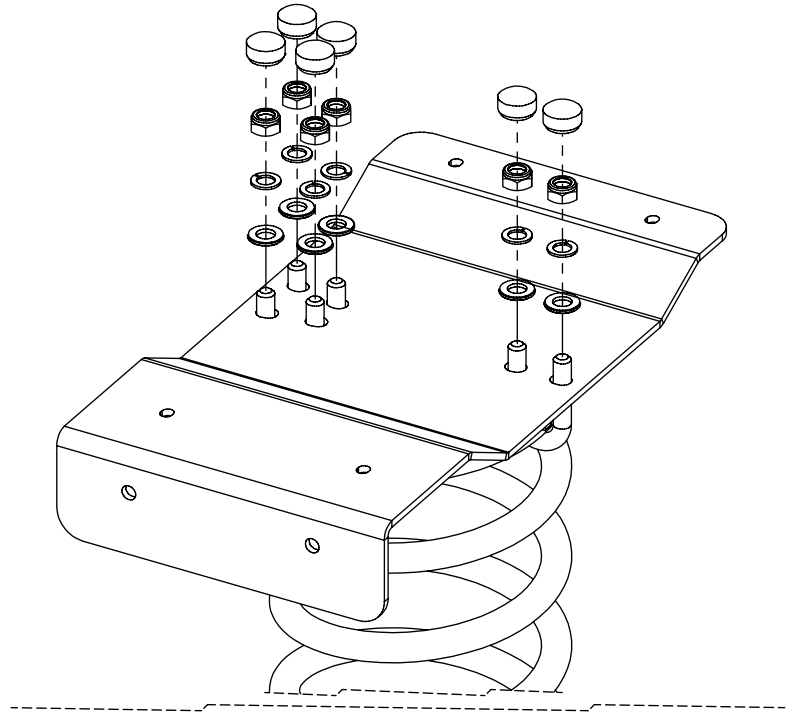
[cm]



vinci
play



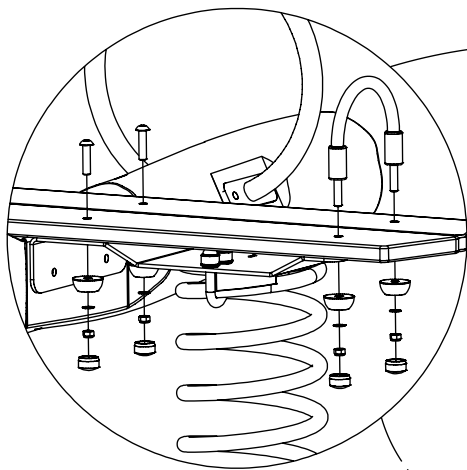
SP36 x2



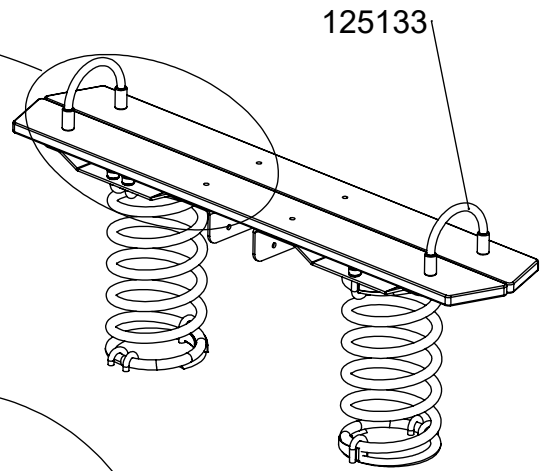
[cm]



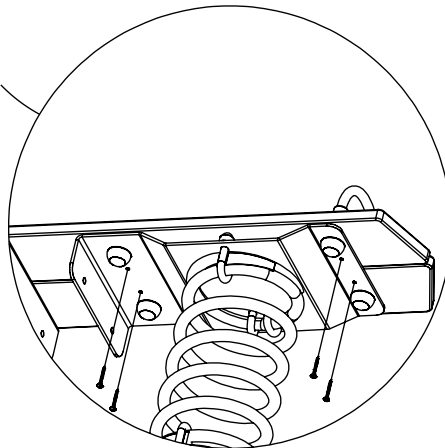
play
Vinci



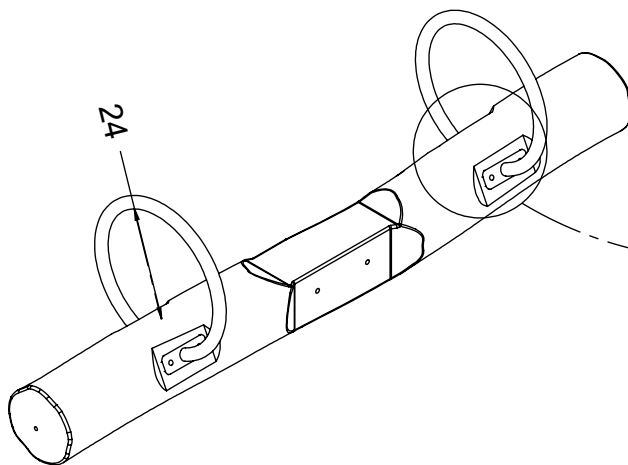
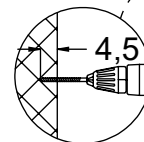
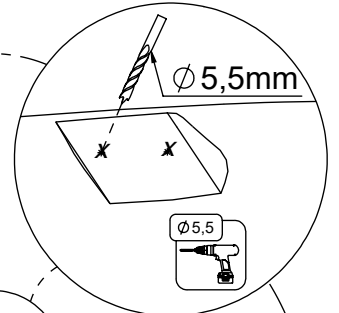
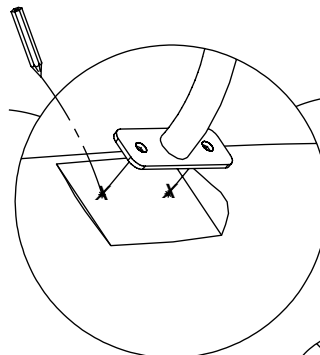
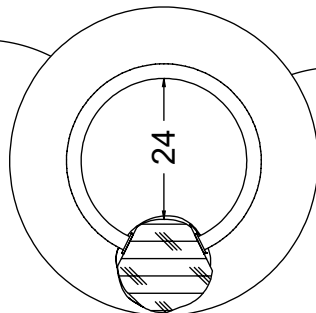
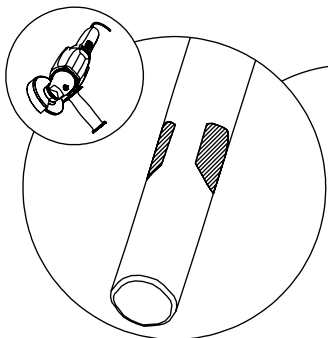
1x 12e077



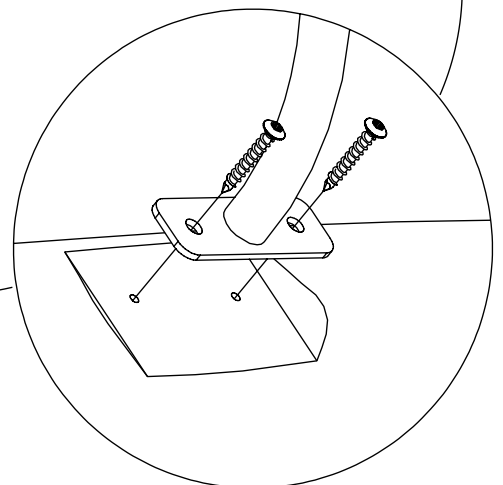
125133



8x 5x25sxp



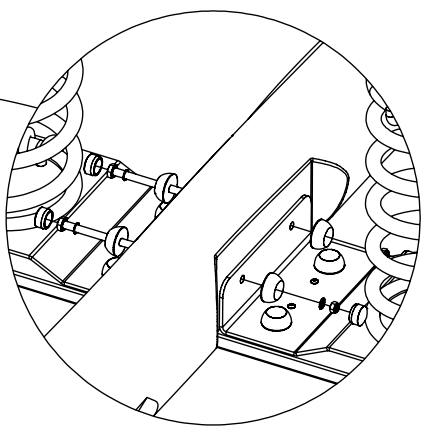
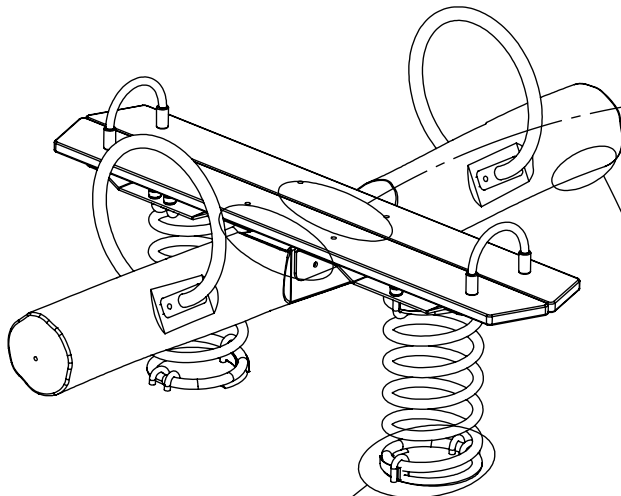
24



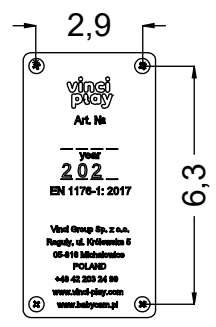
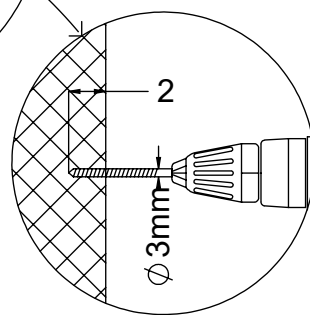
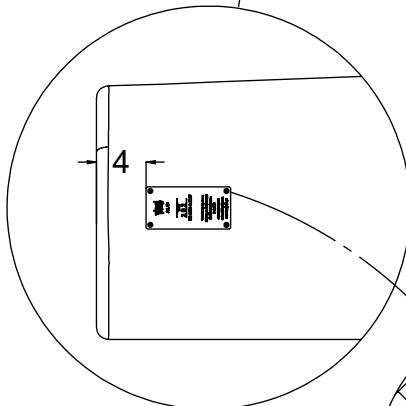
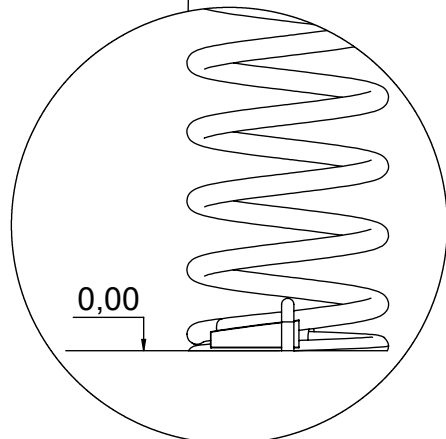
8x 8x50sxi

[cm]

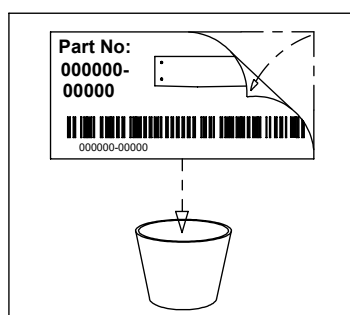
vinci
play



1x 12e078



V001



vinci play

[cm]